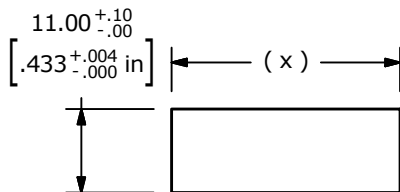
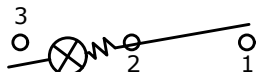
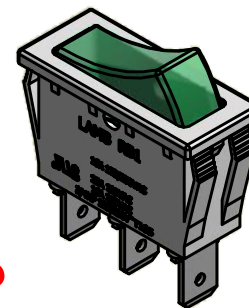
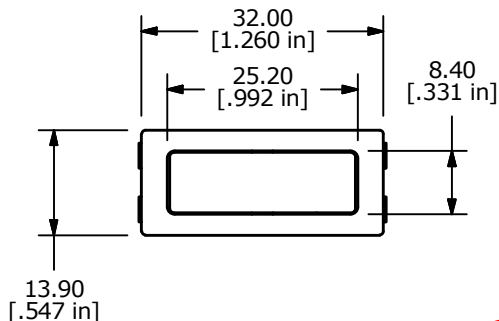


SWITCH FUNCTION	
POS. 1	POS. 2
OFF	ON
OPEN	2-1, 2-3



PANEL CUTOUT

PANEL THICKNESS	(x)	TOLERANCE
0.75 - 1.25	30.0	+/- 0.1



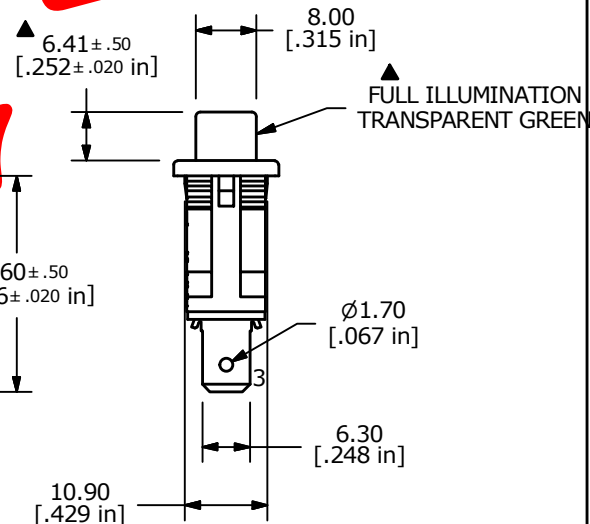
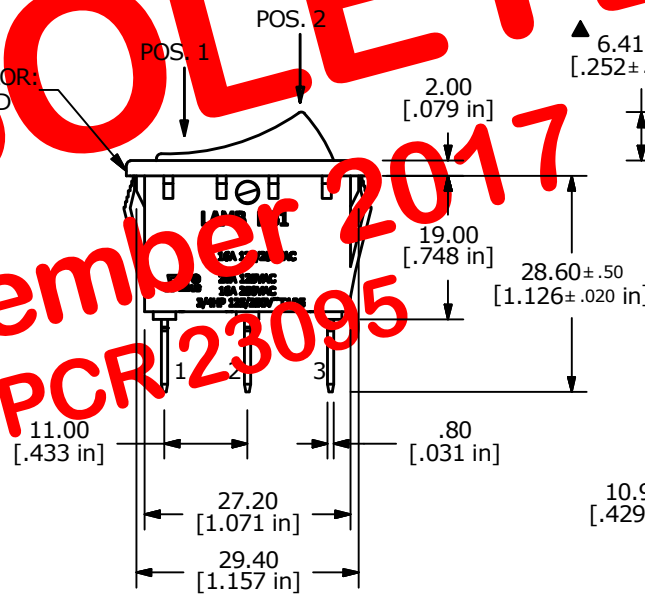
CIRCUIT: SPST

NOTE:

- DIMENSIONS IN MM [INCH]
- GENERAL TOLERANCE: X.X = ± 0.4
X.XX = ± 0.25
- TERMINAL NUMBERS FOR REF ONLY
- CONTACT MATERIAL: SILVER
- CONTACT RATINGS:
ANSI/UL 1054 AND CAN/CSA C22.2 NO.55 (E194579):
20A @ 125VAC [cURus]
16A @ 250VAC [cURus]
3/4HP 125/250VAC [cURus]
ANSI/UL 1054 (233821):
16A @ 250VAC [CSAus]
3/4HP 125/250VAC [CSAus]
EN 61058-1:2002 AND DIN/VDE 0630:2003-03(40017926):
16(4)A 250V~ 1E4 μ 85/55 [ENEC10, VDE]
10(2)A 250V~ 5E4 μ T85/55 [ENEC10, VDE]
20(8)A 250V~ 1E4 μ T125/55 [ENEC10, VDE]
- CONTACT RESISTANCE: 20mΩ MAX. INITIAL
- INSULATION RESISTANCE: 100MΩ MIN. @ 500VDC
- DIELECTRIC STRENGTH: 1,000VAC FOR 1 MINUTE
- ELECTRICAL LIFE: 6,000 CYCLES [cURus]
10,000 CYCLES [ENEC10, VDE]
50,000 CYCLES [ENEC10, VDE]
- OPERATING TEMPERATURE: -20°C TO 55°C [cURus, CSAus]
-20°C TO 125°C [ENEC10, VDE]
-20°C TO 85°C [ENEC10, VDE]
- ▲ DENOTES CRITICAL PARAMETER
- 2002/95/EC (ROHS) COMPLIANT
- ILLUMINATION: NEON LAMP
- ▲ ILLUMINATION VOLTAGE: 125V

▲ BODY COLOR:
ALMOND

OBSOLETE
November 2017
PCR 23095



▲ FULL ILLUMINATION
TRANSPARENT GREEN



TITLE RB141D3000-136

A	20497	RELEASE FOR PRODUCTION	02/22/12	BMA
REV	PCR NO	DESCRIPTION	DATE	BY

SCALE	DATE	DR	DWG	REV
1:1	2/22/2012	BMA	14-RB141D3000136	A

THE INFORMATION CONTAINED IN THIS DOCUMENT IS PROPRIETARY TO E-SWITCH AND IS NOT TO BE COPIED OR TRANSFERRED